

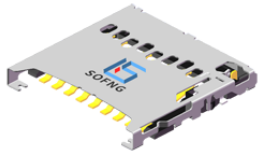
Operation: SMT&(Push-Pull)抽拉式 内焊超薄型 T-Flash 连接器



LTEM NO.:TF-008 (Consumer Electronics)

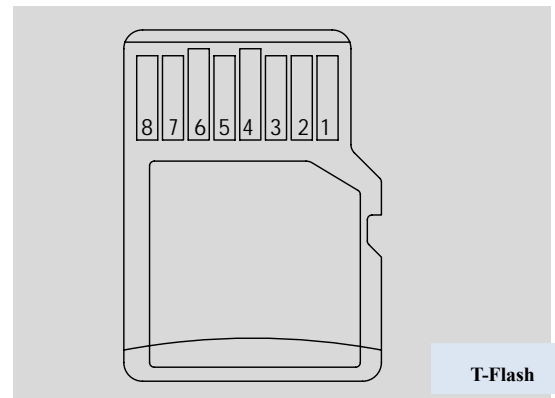
(11.25L×11.35W×1.35H & T-Flash Sockets)

MEMORY-CARD-SOCKETS



Technical parameter

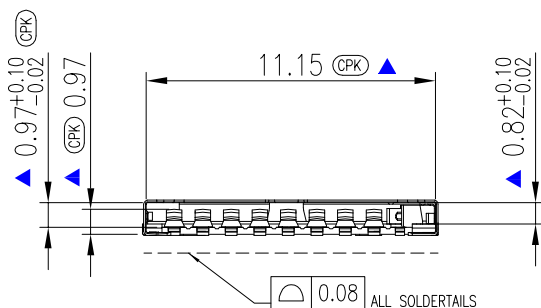
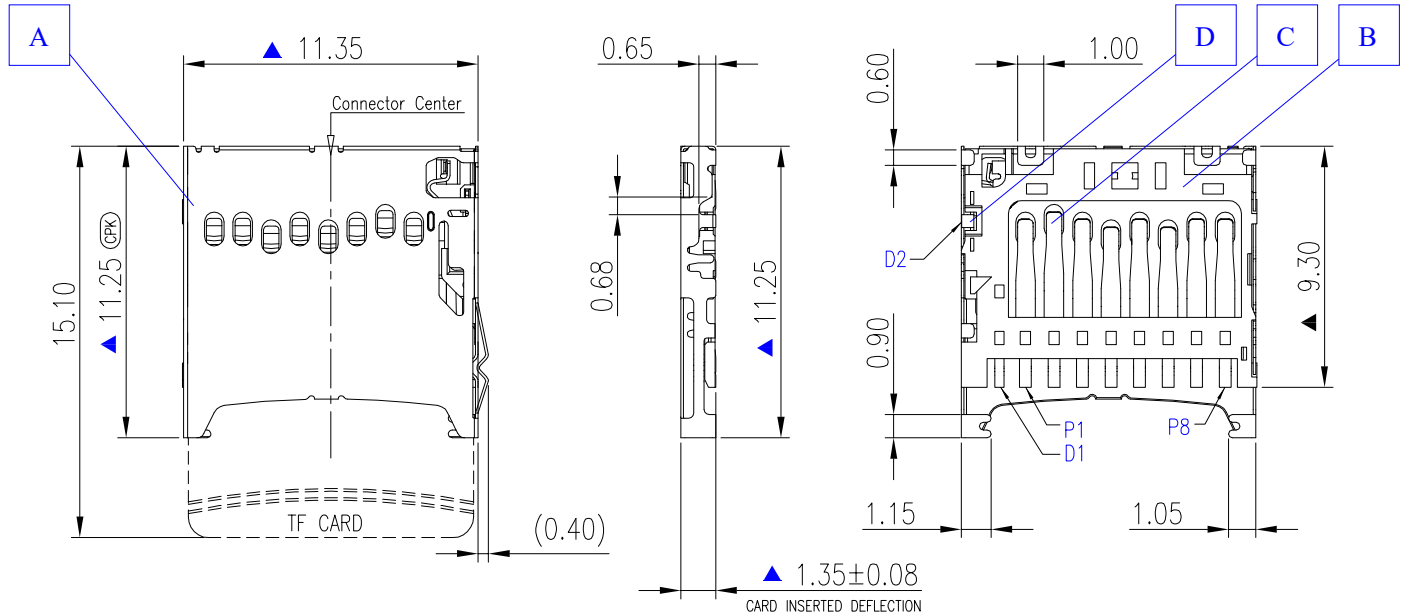
PROJECT	LEVEL	A[better product]	B[average product]
		Contact Rating	
Electrical	Initial Contact Resistance	30mΩ max.	50mΩ max.
	Insulation Resistance	100MΩ min.500V DC	
Properties	Withstand Voltage	500V AC for 1 minute	350 V AC for 1 minut
	There No Load	6,500 Cycles	5,500 Cycles
Durable	Rated Load	5,500 Cycles	4,000 Cycles
Performance	Storage temp.	-35℃~+85℃(Operating Temp:)	



T-Flash

Page1

Unit:mm



Material declaration			
No.	NAME	MATERIAL	PLATING
① A	外壳	SUS301-3/4H(t=0.12mm)不锈钢【焊点镀金 1u"】	G/F
② B	基座	LCP 30% (Black)耐热塑料 THERMAL PLASTIC	-
③ C	接触端子	C5191R-H (t=0.12mm)磷青铜【30u" 锡基镀金 1u"】	G/F
④ D	检测端子	C5191R-H (t=0.12mm)磷青铜【30u" 锡基镀金 1u"】	G/F



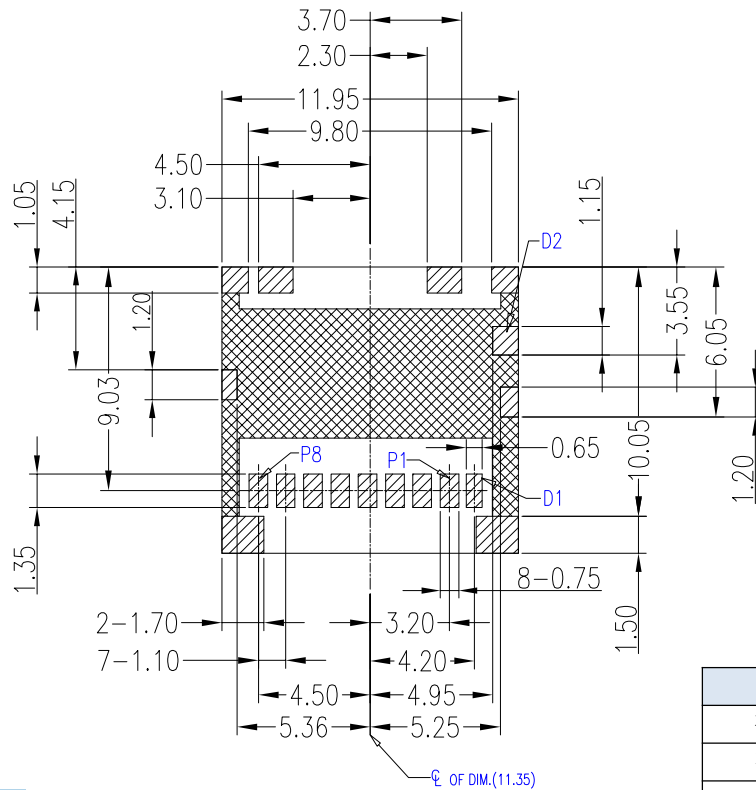
Operating Force

Inward
Exiting

2.0~3.0N. (1N.=100gram-force)
2.0N. (1N.=100gram-force)

Solder-ability (Max.)

IR Reflow: 255°C, 5sec. Manual: 350°C, 3sec.



SOLDERAREA
 THIS AREA CAN'T BE PRINTED CIRCUIT

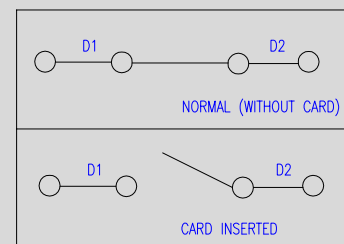
DECIMALS	ANGLES
X :±0.25	X° :±3°
X.X :±0.20	X.X° :±1°
X.XX :±0.15	X.XX° :±0.5°

Pin definition

T-Flash CARD

Pin No.	Pin NAME	Type	Description
PIN①	DAT2	I/O/PP	Date Line[Bit 2]
PIN②	CD/DAT3	I/O/PP	Card Detect Date Lin(Bit 3)
PIN③	CMD	PP	Command Response
PIN④	VDD	S	Supply voltage
PIN⑤	CLX	I	Clock
PIN⑥	Vss	S	Supply voltage ground
PIN⑦	DAT 0	I/O/PP	Date Line [Bit 0]
PIN⑧	DAT 1	I/O/PP	Date Line [Dit 1]

COMPONENT



本品不屬於危害性廢棄物,須丟棄時可以委託回收商予以回收再生處理。Products do not belong to hazardous waste,When waste can recycling processing

運送時本產品不要直接與水、酸鹼性化學物質接觸,或放置於含有以上氣體環境中,並且需要注意會有滑落、側翻的危險發生;運輸過程中不能有碰撞或者擠壓,須保證溫度與濕度適中[常溫 25°C,濕度在 50°C 以內],不可導致材料變形或氧化。



注記 NOTICE

1. 碩方公司擁有最終解釋權; The SOFNG company reserves the right of final interpretation;
2. 文件禁止外洩、轉載; Leaked and reproduced prohibited;
3. 未經授權修改無效。Modify is invalid.

单击下面可查看定价，库存，交付和生命周期等信息

[>>SOFNG\(硕方\)](#)